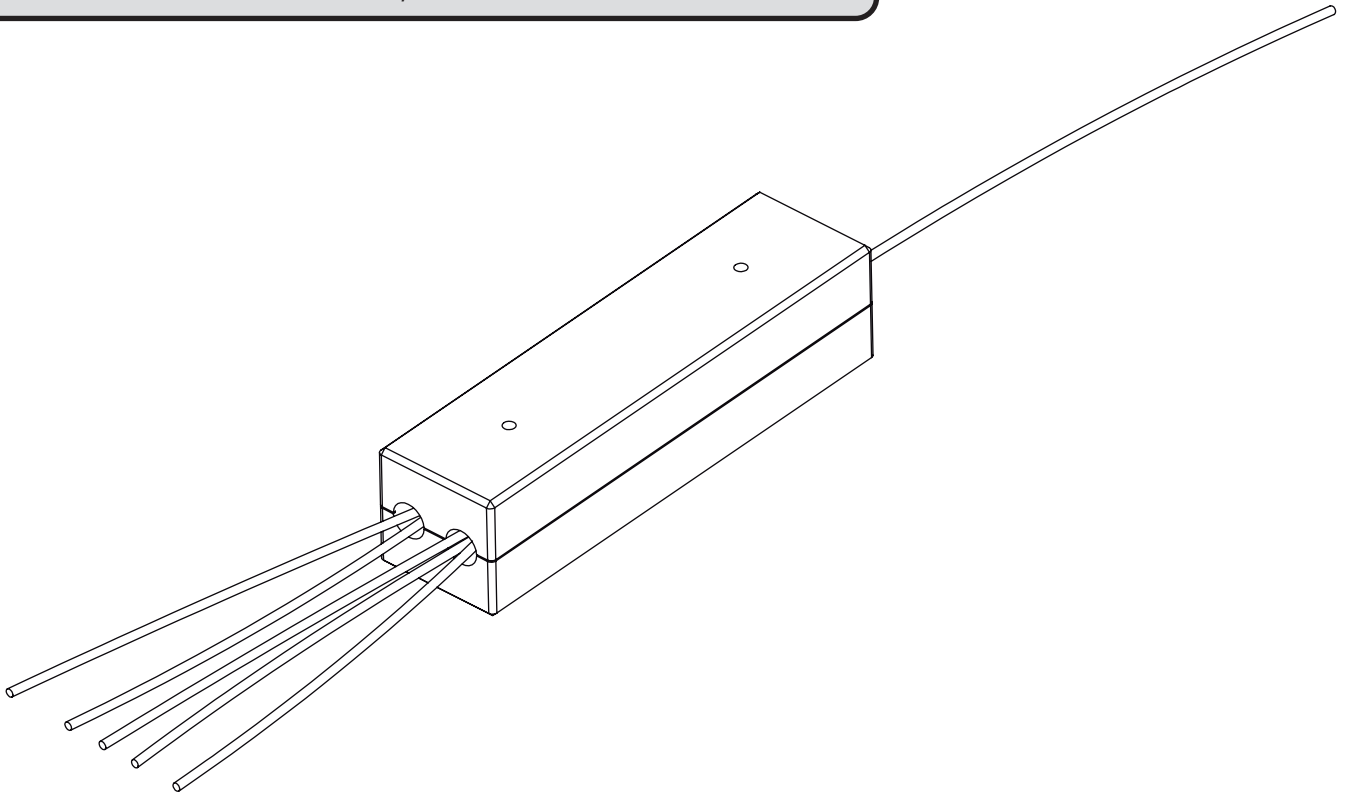


CONTROL BOARD MC4SP

OPERATION MANUAL / PROGRAMMER

motorline[®]
PROFESSIONAL



► TECHNICAL INFORMATION

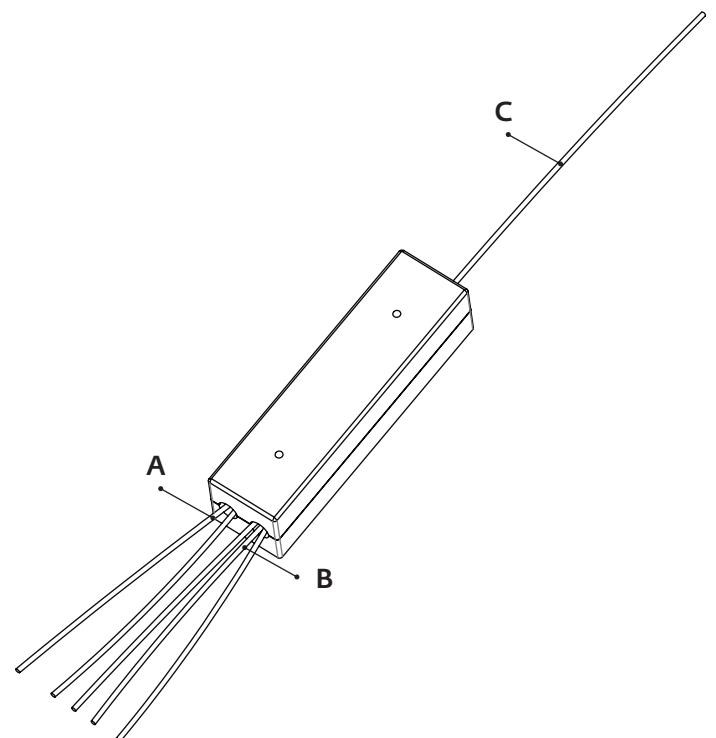
A CN1: CONNECTORS OF CENTRAL'S POWER

- | | |
|---|------------------------------------|
| 1 | Blue - Line Input AC230V (neutral) |
| 2 | Brown - Line Input AC230V (phase) |

B CN2: MOTOR'S CONNECTIONS

- | | |
|---|--------------------------------------|
| 3 | Black - Motor's Output AC230V (UP) |
| 4 | Blue - Motor's Output AC230V (COMUM) |
| 5 | Brown - Motor's Output AC230V (DOWN) |

- | | |
|---|---------|
| C | Antenna |
|---|---------|

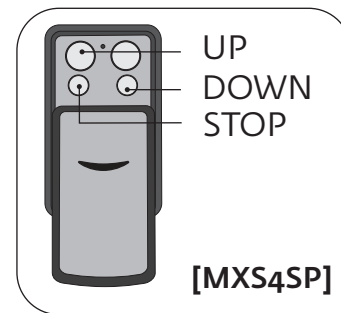
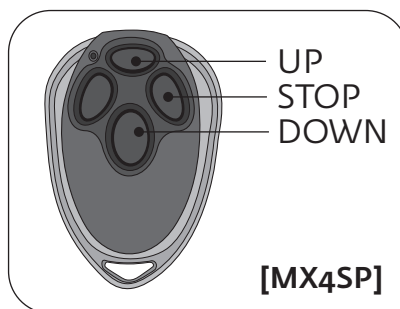
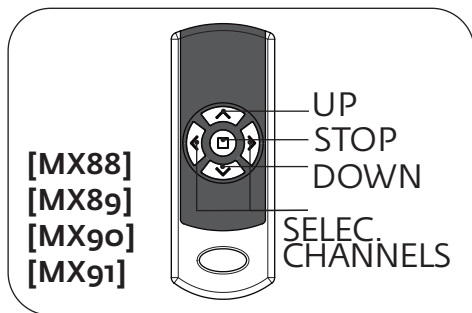


► TECHNICAL SPECIFICATIONS

► Power Supply	AC230V; 50-60Hz
► Motor's Output	AC230V; 350W Máx
► Operating Temperature	-10°C to 65°C
► Frequency Transmission	433,92 MHz

► N° of Channels	15
► Code Type	Rolling Code
► Protection Level	IP44
► Dimensions	100x26x24mm

▶ CONTROLLERS KEYS



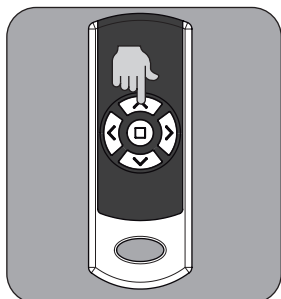
▶ PROGRAMMING



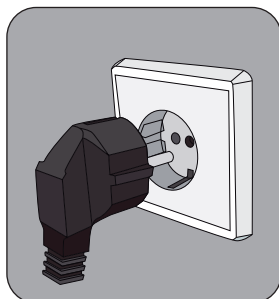
The control board MC4SP has capacity for 15 different controllers. Once out of memory, 4 beeps will signal that the memory is full.

Start each the following settings with the central disconnected from the mains.

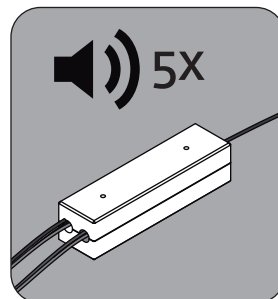
▶ Add new controller



Press and hold the "UP" button



Connect the control board to the mains 230v

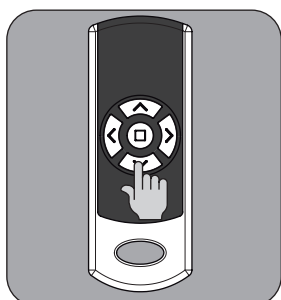


Wait 10sec, while pressing the "UP" button, during which the control board will make 5 spaced beeps

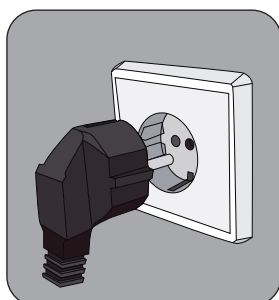


2 beeps confirm that the operation was completed successfully

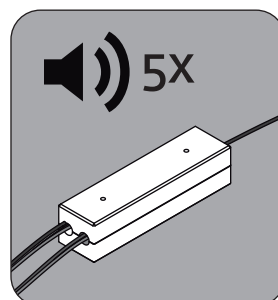
▶ Changing motor's direction



Press and hold the "DOWN" button



Connect the control board to the mains 230v

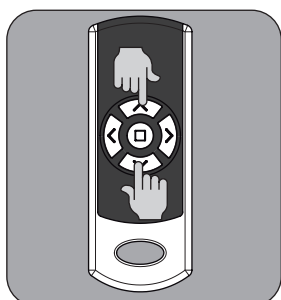


Wait 10sec, while pressing the "DOWN" button, during which the control board will make 5 spaced beeps

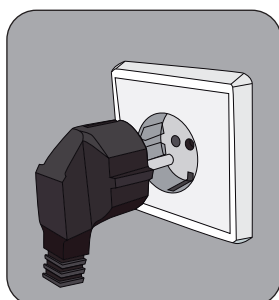


2 beeps confirm that the operation was completed successfully

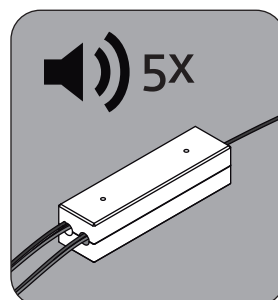
▶ Erase the controllers from the control board's memory



Press and hold the "UP" and "DOWN" buttons at the same time.



Connect the control board to the mains 230v



Wait 10sec, while pressing the "UP" and "DOWN" buttons, during which the control board will make 5 spaced beeps



2 beeps confirm that the operation was completed successfully